

COMPACT ELECTRIC SCISSORLIFT



XEW WIND



ELECTRIC

AIRO

SAFELY, HIGHER.

MADE IN ITALY

X8 - X10 - X12

PERFORMANCES

A range of very versatile and easy to drive machines. In particular, the compactness of the machine body of this range combined with 90° steering ensures that work can be carried out at height and in small spaces, guaranteeing a very high load capacity.

ADVANTAGES

The possibility to extend the platform up to 1.5 metres in total safety permits work in narrow, high and difficult to reach spaces. The range allows you to operate at different heights, from 8 m up to 12 m, safely and with unaltered performance.

VALUE

40 years of experience in design and manufacturing are a guarantee of reliability and durability.





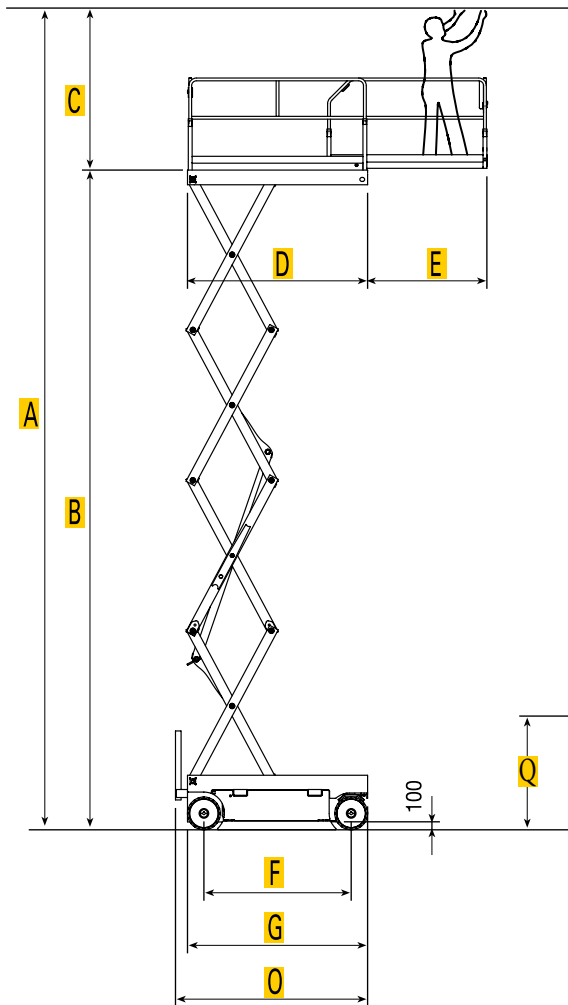
EW WIND

X8 - X10 - X12

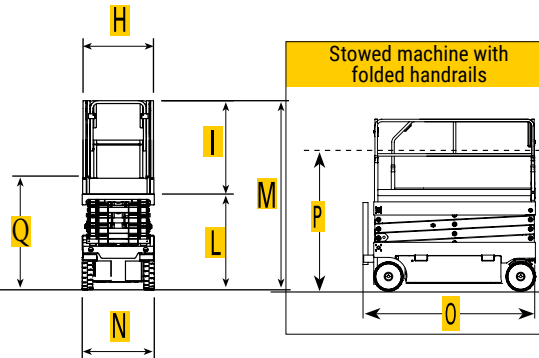


Dealer

Technical data



	X8	X10	X12
A	8300	10200	12100
B	6300	8200	10100
C	2000	2000	2000
D	2250	2250	2250
E	1500	1500	1500
F	1840	1840	1840
G	2250	2250	2250
H	1200	1200	1200
I	1150	1150	1150
L	1090	1210	1330
M	2240	2360	2480
N	1200	1200	1200
O	2400	2400	2400
P	1740	1860	1980
Q	1300	1420	1540



TECHNICAL SPECIFICATIONS		X8 EW wind	X10 EW wind	X12 EW wind
Max. working height	mm	8300	10200	12100
Max. platform height	mm	6300	8200	10100
Total capacity / n° of persons	kg	500 3/2*	500 3/1*	300 3/1*
Capacity on deck extension	kg	500	500	300
Manual roll-out extension deck	m	1,5	1,5	1,5
Use		internal/external*	internal/external*	internal/external*
Lifting time	s	47	47	70
Lowering time	s	47	47	70
Battery	V / A	4X6	4X6	4x6
Battery capacity	V/Ah(C5)	200	200	280
Battery charger	V/A	24/25	24/25	24/25
Oil tank capacity	l	30	30	30
Drive speed (safety/fast)	km/h	0,60/3	0,60/3	0,60/3
Inclination long. /trasv.	°	4°/2°	3°/2°	3°/1,5°
Gradeability	%	25	18	23
Inside / Outside turning radius	m	0/2,43	0/2,43	0/2,43
Steering	°	90	90	90
Tyre dimensions and type CUSHION Non-marking white tyres	inch	Ø 16"x5"	Ø 16"x5"	Ø 16"x5"
Total weight	kg	2250	2850	3320

* for outdoor use

Tigieffe Srl follows a policy of continuous product improvement. Photographs used may represent equipment including accessories and options. Specifications are indicative and subject to change without notice. Some accessories or national standards may result in a weight increase. Technical specifications may vary according to national standards or in addition of optional equipment.



AIRO by TIGIEFFE S.r.l.

Via Villa Superiore, 82 - 42045 Luzzara (RE) - Italy
Ph. +39 0522 977365 - Fax: +39 0522 977015
info@airo.com - www.airo.com



Standard Version

- Electro-hydraulic transmission and proportional controls
- Deep Cycle batteries and integrated sealed charger
- Electric scissor protection
- Manual roll-out extension deck (m 1,50)
- Horn, inclinometer, voltmeter, hourmeter
- Tilt sensor with automatic stop
- Battery level indicator on platform and ground controls with flat battery lift cut-out
- 90° Steering
- All-motion alarm
- Automatic pot-hole system for translation at max. height
- Pin based load limiter on platform
- 230 V electric line predisposition on the platform
- Foldable handrails
- Lateral forklift pockets
- Anchorage and lifting points
- Telematic connector
- CE Declaration of conformity CE

Options and accessories

- Flashing warning lights (n.2)
- Control box protection cap
- 230V power line on platform
- 230V power line on platform with circuit breaker
- Deep Cycle battery 24V, 280Ah (standard in X12)
- Kit for centralized battery topping
- Air / Water line to platform with quick coupling
- Gel batteries (AGM)
- Ground level controls display and built-in diagnostics
- SAFE Secondary protection system
- Fleet management Kit